

Technical Newsletter

#tnl2018-0008e

1 / 3



Request for Periodic Replacement of Protecting Glass Retaining Washer

Applicable models

DFL7020、DFL7160、DFL7161

Periodic replacement of protecting glass retaining washer

There is a risk of damage to the processing point nozzle section's protective glass retaining washer deteriorating due to the laser or removal and attachment during maintenance. If washer is used while in a damaged condition, there is a risk that the protective glass will be scorched, which will lead to a decrease in the laser power and have a negative impact on the processing results.

Please replace the washer if it has not been replaced for at least 1 year.
In addition, we recommend periodic replacement once a year.

Applicable parts

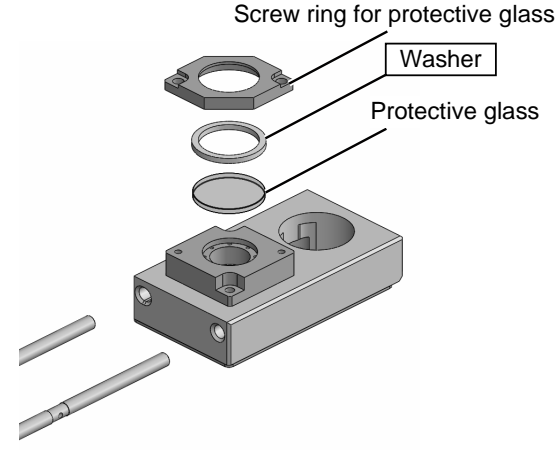
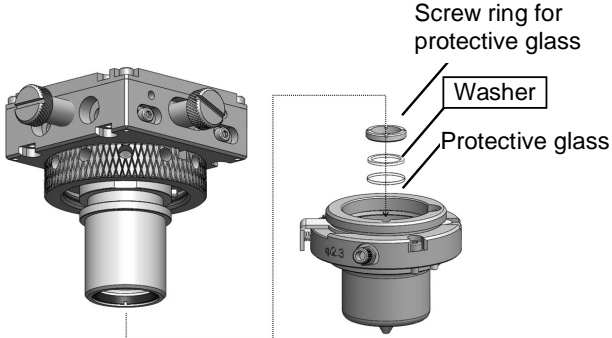
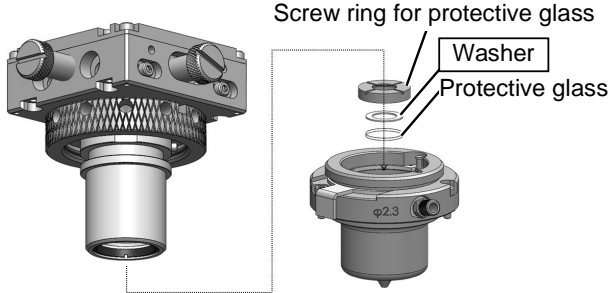
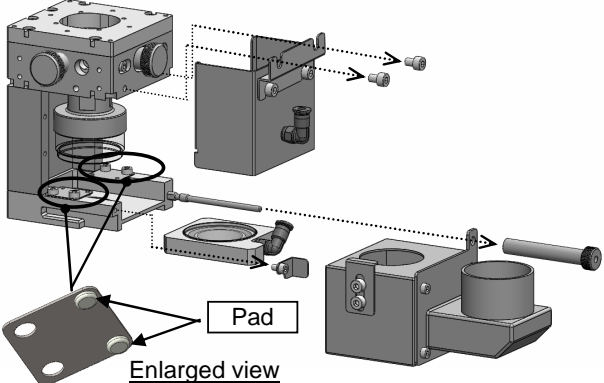
Model	Process point nozzle	Name	DISCO Part ID	Qty.
DFL7020	Y01 Nozzle	Washer	LNUP-610094-0	1
DFL7160	J03 Nozzle	Washer	LKAP-010304-0	1
	J03A Nozzle	Washer	LKAP-011837-0	1
	B02 nozzle * Applies to DISCO machines with a serial number of KA1279 or before	Pad	LKAP-010891-0	4
	B03 Nozzle	Washer	LNCP-010024-0	1
	J05 Nozzle			1
DFL7161	Standard nozzle	Washer	LKAP-911115-0	1
	J05 Nozzle			2
	B03 Nozzle			2

- In cases where the optical system for the DFL7160 or DFL7161 is a user-specified specification, there may be multiple applicable parts, depending on the specification. Please contact a DISCO sales representative.
- Please see the maintenance manual with regard to the washer replacement procedure of DFL7020 and DFL7161.
- The DFL7160 processing point nozzle washer replacement operation is performed by a DISCO laser customer engineer. Please contact DISCO about the replacement operation.
- For details about the processing point nozzle type for each model, see the next page.

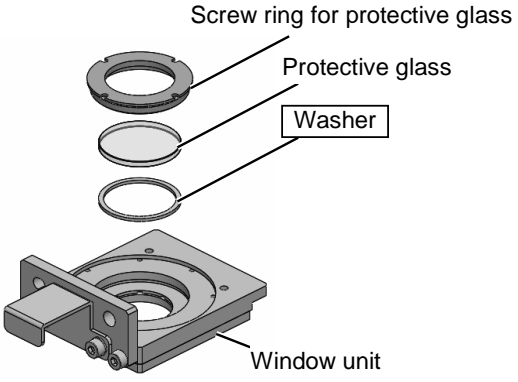
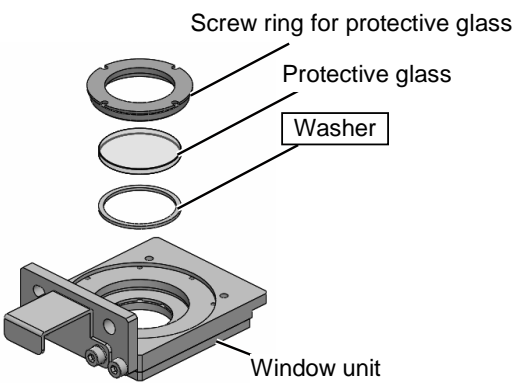
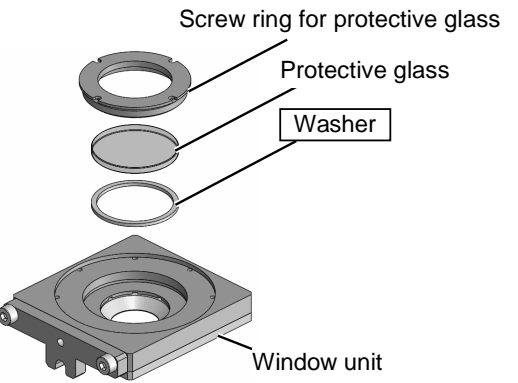
Inquiries

Please contact your local DISCO sales representative or customer engineer if you have any questions regarding this matter.

Process point nozzle list

Model	Process point nozzle	External view
DFL7020	Y01 Nozzle	 <p>Screw ring for protective glass Washer Protective glass</p>
	J03 Nozzle	 <p>Screw ring for protective glass Washer Protective glass</p>
DFL7160	J03A Nozzle	 <p>Screw ring for protective glass Washer Protective glass</p>
	<p>B02 Nozzle * Applies to DISCO machines with a serial number of KA1279 or before</p>	 <p>Pad Enlarged view</p>

Process point nozzle list (Continued)

Model	Process point nozzle	External view
DFL7160	B03 Nozzle J05 Nozzle	 <p>Screw ring for protective glass</p> <p>Protective glass</p> <p>Washer</p> <p>Window unit</p>
DFL7161	Standard Nozzle	 <p>Screw ring for protective glass</p> <p>Protective glass</p> <p>Washer</p> <p>Window unit</p>
DFL7161	J05 Nozzle B03 Nozzle	 <p>Screw ring for protective glass</p> <p>Protective glass</p> <p>Washer</p> <p>Window unit</p>